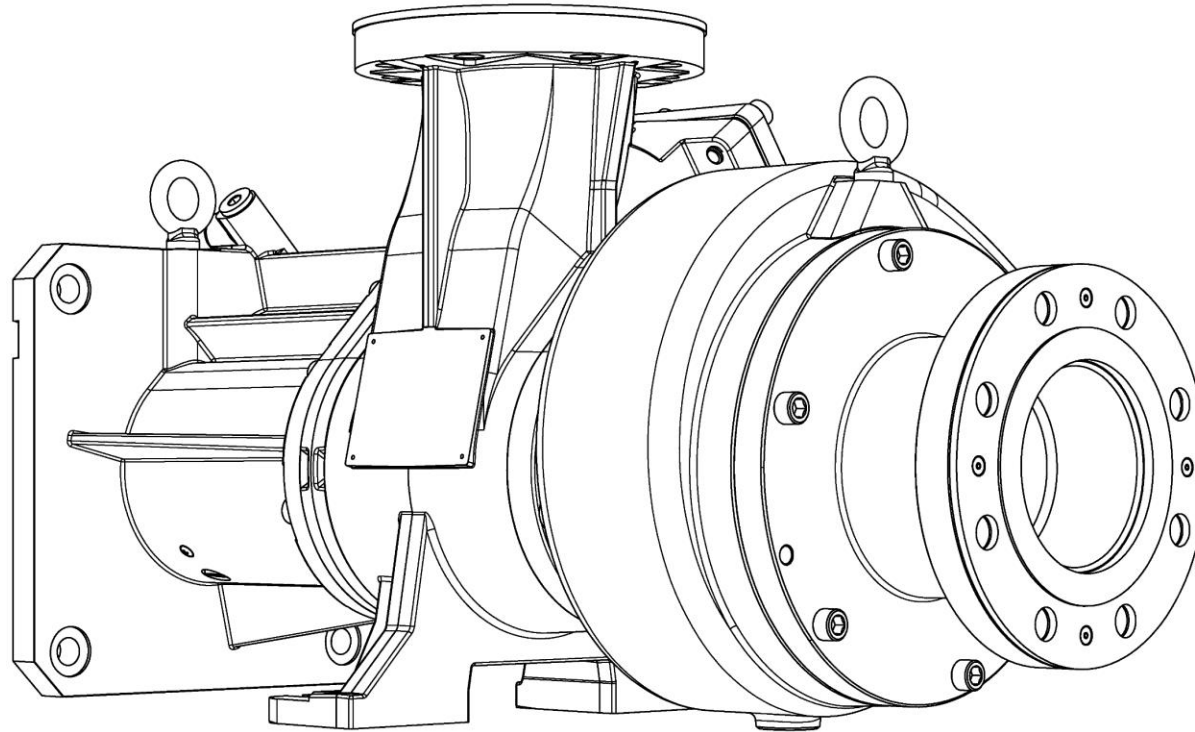


FTS400

Pump Information & Data Package



Revision 2017111401

© 2020 Liquiflo Equipment Company



Liquiflo Equipment Company
Liquiflo FTS Fluid Transfer Pumps
443 North Avenue
Garwood, NJ 07027, USA
phone 1 (908) 518-0777
fax 1 (908) 518-1847
www.Liquiflo.com/FTS

Product Information

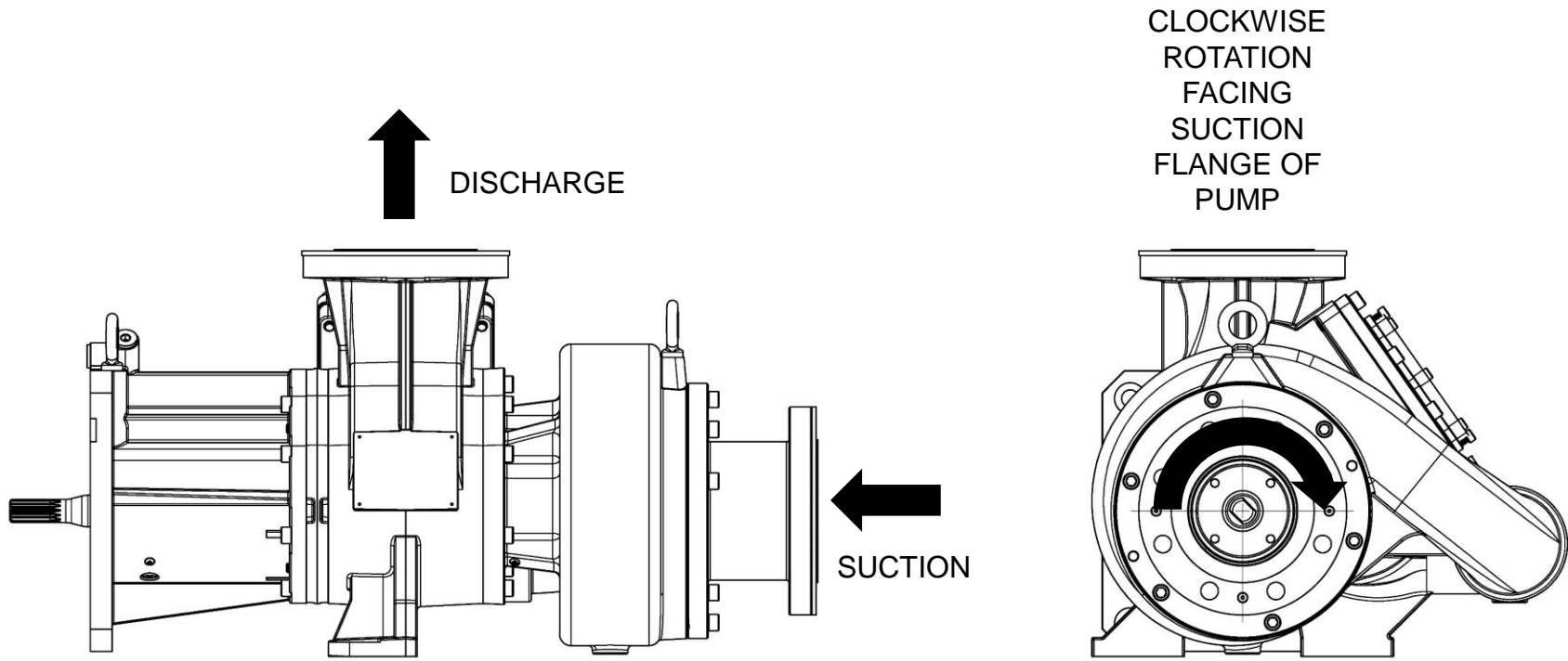
Model number:	FTS-400AVLR-000
Housing material:	Anodized Aluminum
Static seal material:	FKM
Shaft seal material:	FKM
Shaft material:	440C Stainless Steel
Weight:	230 lbs
Length, overall:	35.01 in
Width, overall:	20.61 in
Height, overall:	17.63 in
HTS:	8413.60.0090
ECCN:	2B999.J

Rated speed:	1800 RPM
Rated flow:	480 GPM
Rated pressure:	80 PSID
Rated temperature:	25°C
Rated NPSHr:	8.5 ft H ₂ O
Rated torque:	122 lbf-ft
Rated power:	41.81 HP
Rated efficiency:	53.6%
Calibration fluid:	ExxSol D80
Calibration fluid viscosity:	2.18 cSt
Calibration fluid SG:	0.795

Max. speed (continuous duty):	1500 RPM
Max. speed (intermittent duty):	1800 RPM
Max. speed during dry run:	1200 RPM
Max. dry run time per cycle:	2 hours
Max. sound pressure, 5 ft:	100 dB
Recommended inlet filtration:	300 micron

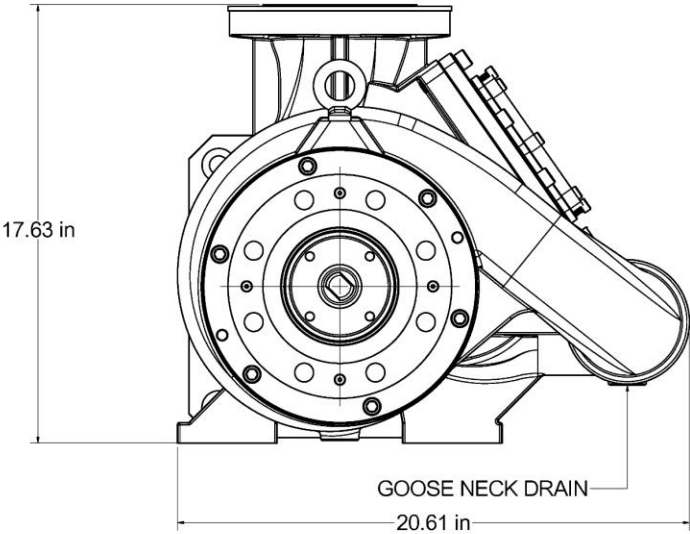
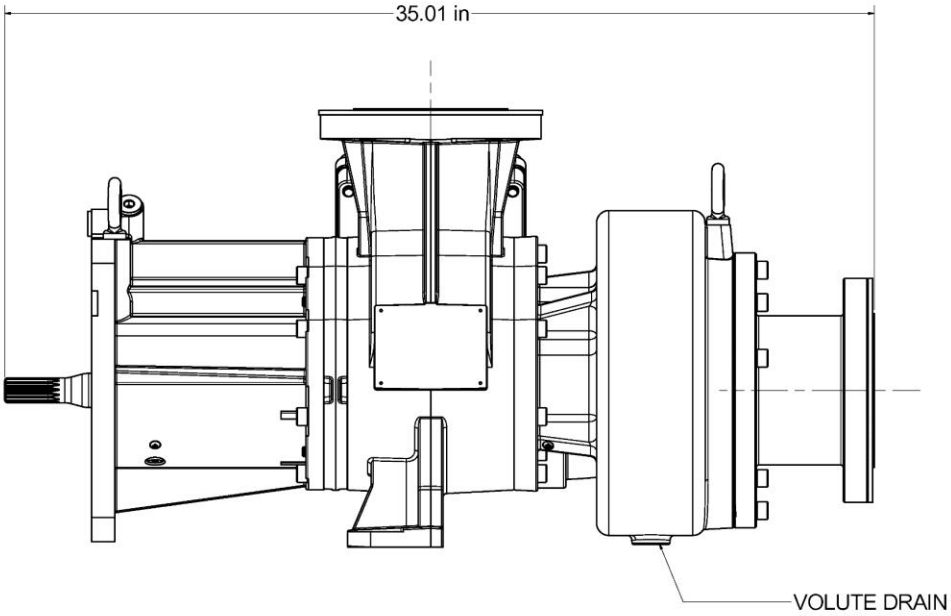
Max. working pressure:	140 PSID
Max. hydrostatic pressure:	275 PSIG
Max. viscosity:	400 cSt
Min. operating temperature:	-10°C
Max. operating temperature:	60°C
Min. storage temperature:	-20°C
Max. storage temperature:	80°C

Direction of Flow – Forward Operation

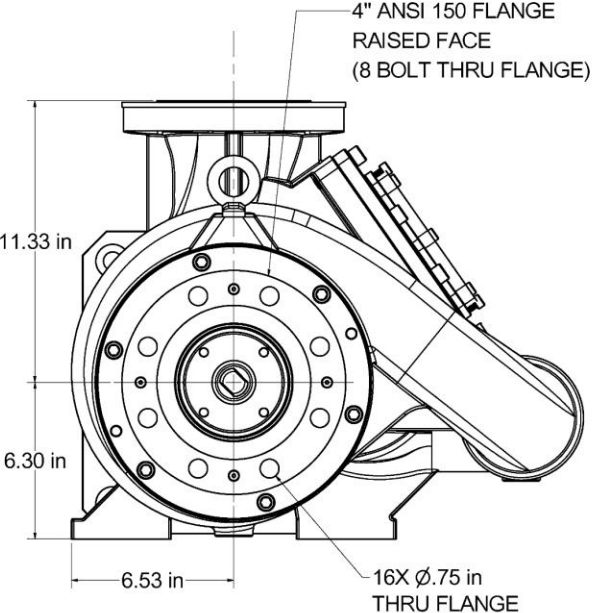
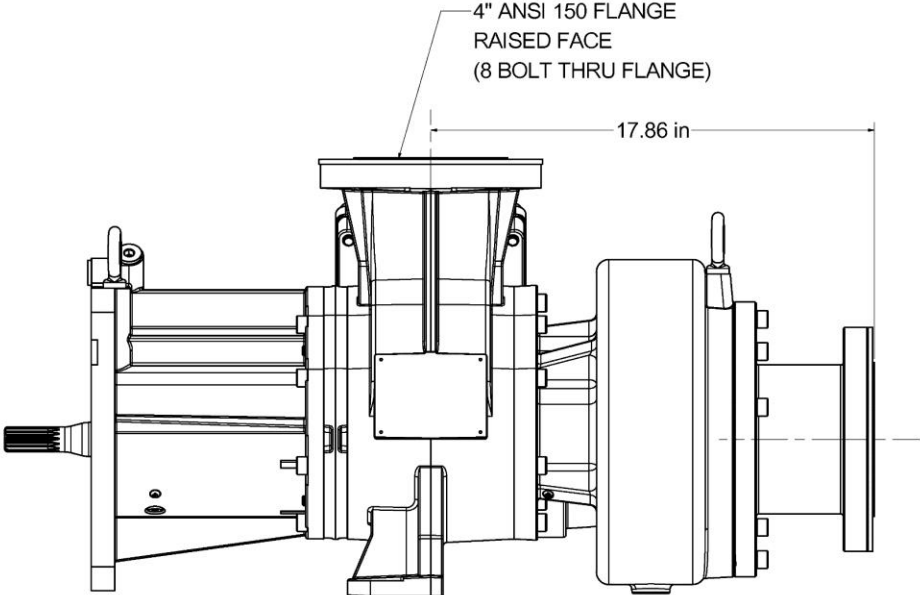


NOTE: Pump performance is rated in the forward direction only (Direction #1, clockwise rotation facing suction flange). The pump may be operated in reverse satisfactorily without damaging the pump, however there is no guaranteed performance in reverse. Operating in reverse may be used for line stripping, tank emptying, or pump and line purging, etc. Be cautious when running in reverse as the pump will not have the same performance as the forward direction due to losing the benefit of the centrifugal impeller. If you have specific requirements for reverse operation, contact Parker Application Support for a factory consultation.

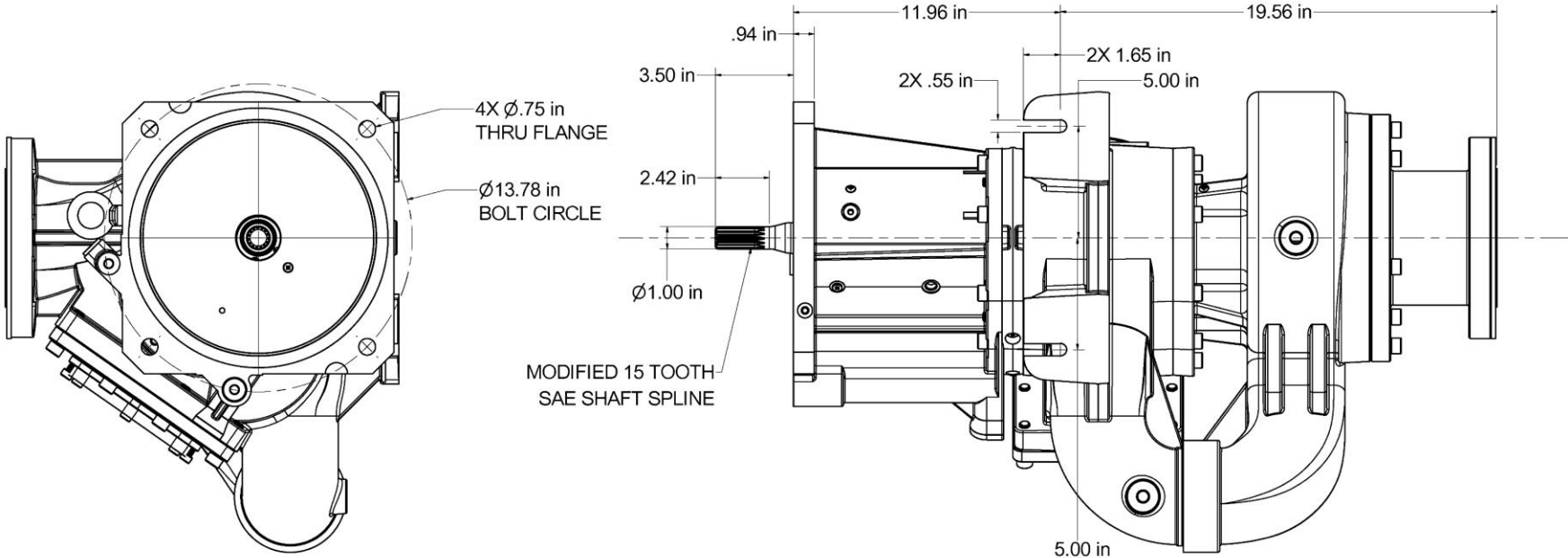
Product Dimensions: External



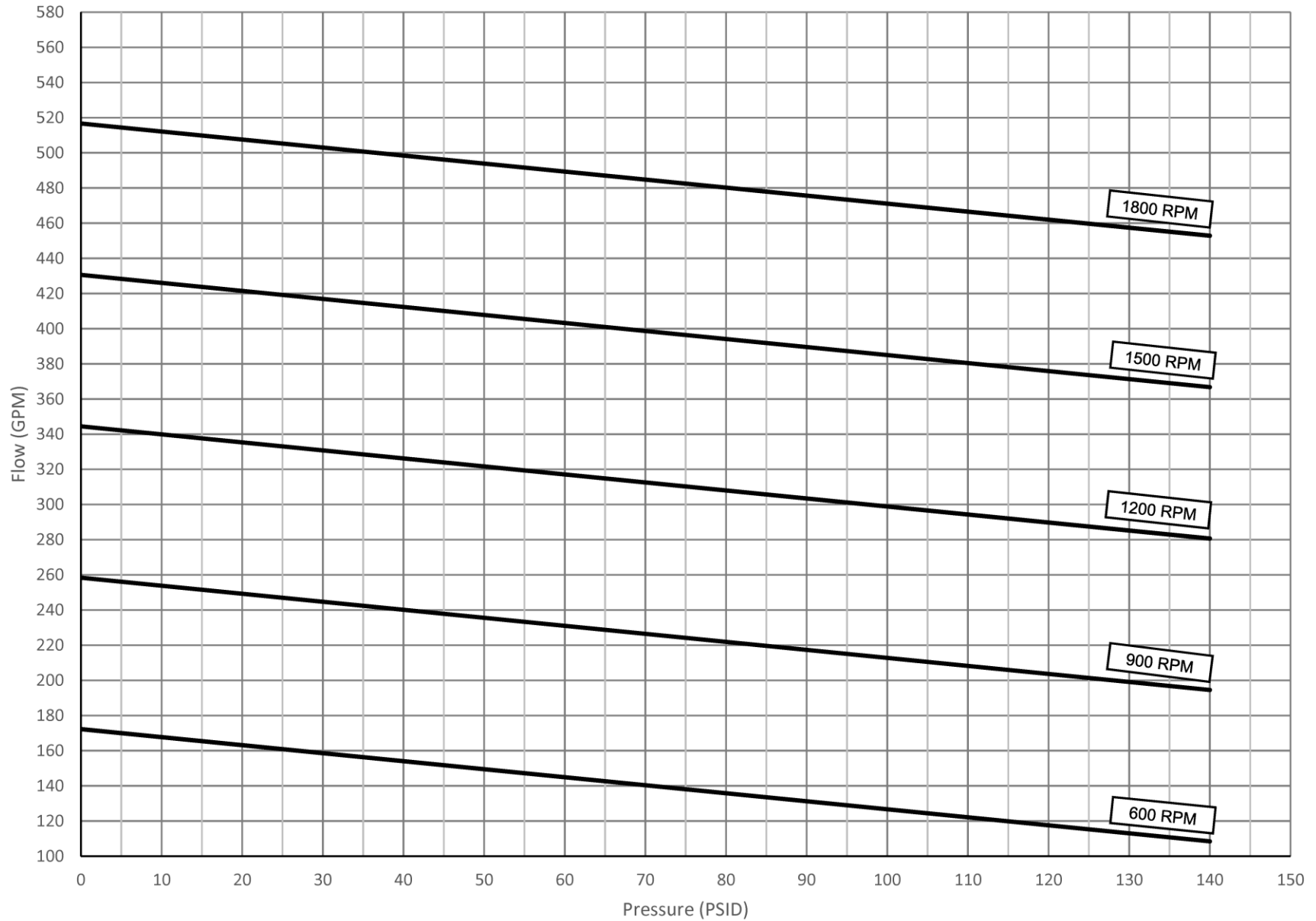
Product Dimensions: Fluidic interface



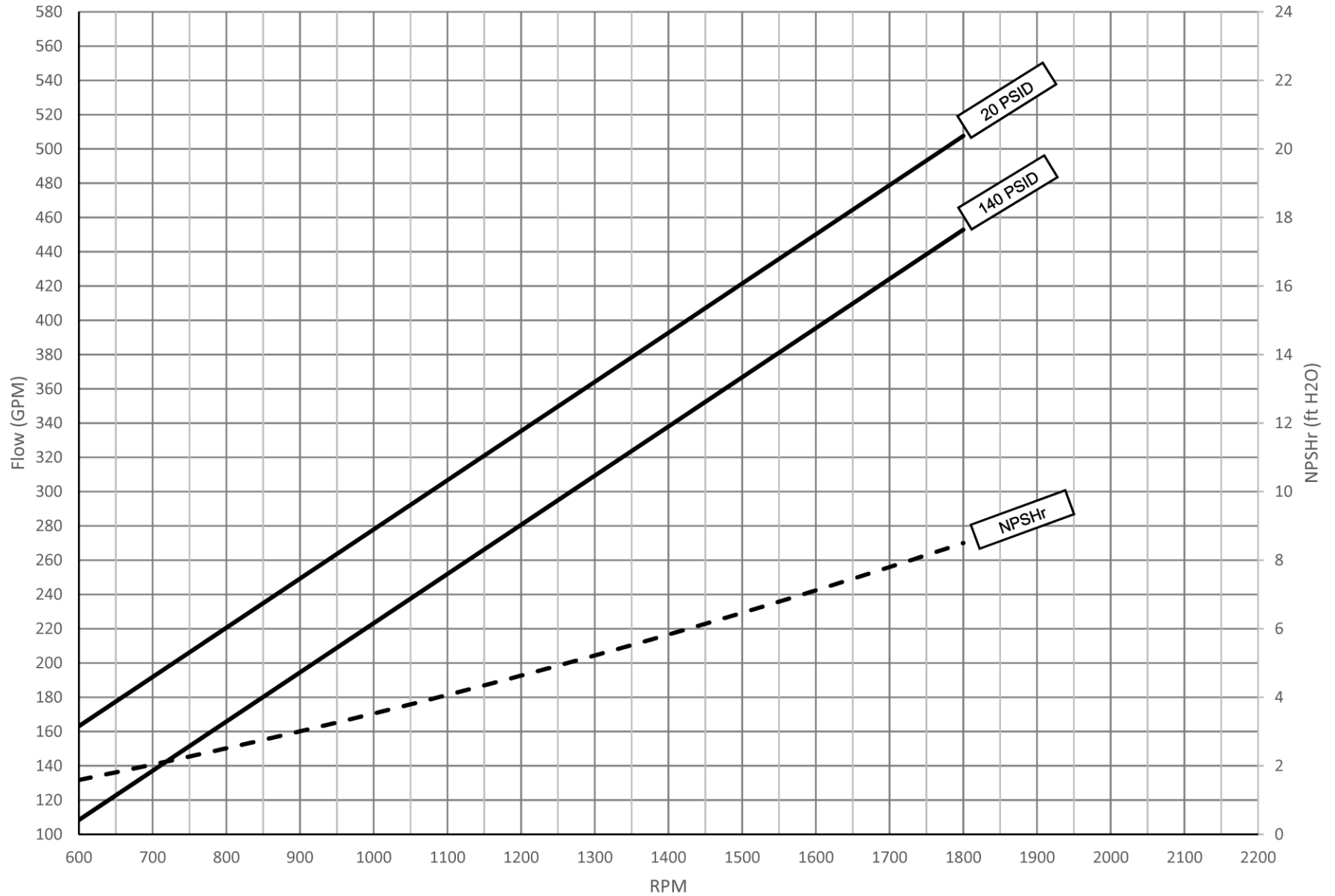
Product Dimensions: Mounting and Shaft interface



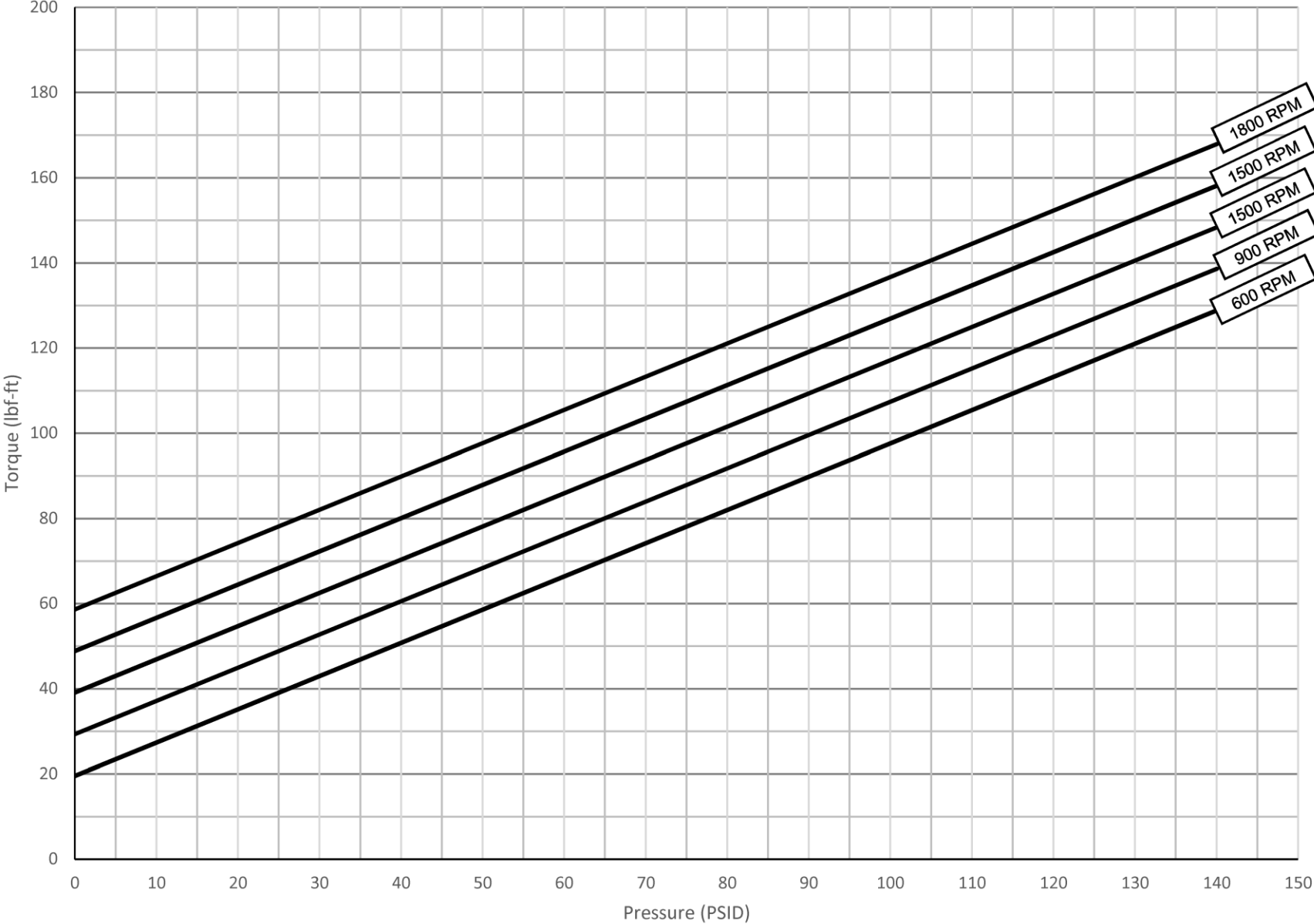
Performance: Flow, Pressure, RPM



Performance: Flow, RPM, Pressure, NPSHr



Performance: Torque, Pressure, RPM



Information subject to change without notice. For the most current information, consult factory. All performance data at rated conditions with calibration fluid specified in this Data Package.

